



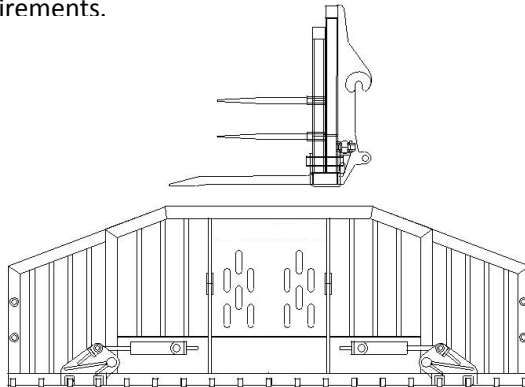
## Strimech Folding Fork

Strimech are the market leaders for folding forks, the heavy duty design and excellent build quality guarantee's it's both powerful and durable which offers a longer working life thus making it the perfect choice for contracting work. Strimech folding forks are the preferred choice for leading machinery manufacturers to compliment a vast range of loading shovels. We offer 5 different sizes to cover all customer requirements.



### FEATURES:

- **Heavy Duty Box Section.**
- **Handles Cut Grass And Maize.**
- **Fold-Up Sides For Road Use.**
- **1400mm Hardox Tines.**
- **High Capacity.**
- **To Suit Loading Shovels.**
- **20mm Thick Full-Length Wear dge.**
- **4 Side tines (Hardox optional)**



<u>Model</u>	<u>Width Open</u>	<u>Width Closed</u>	<u>Height</u>	<u>Weight</u>
FMP100	3.70 m (12' 2")	2.64m (8' 8")	1.50m (4' 11")	1510 kg
FMP200	3.94m (12' 11")	2.90m (9' 6")	1.50m (4' 11")	1670 kg
FMP300	4.19m (13' 9")	3.10m (10' 2")	1.50m (4' 11")	1720 kg
FMP400	4.90m (16' 1")	2.90m (9' 6")	1.50m (4' 11")	1810 kg
FMP500	4.39m (14' 5")	2.90m (9' 56)	1.50m (4' 11")	1735 kg

PLEASE NOTE: Jumper hoses and couplings are not supplied and are available at an extra cost



Strimech Engineering Limited Longmore Avenue, Bentley, Walsall, WS2 0BW  
 T: 01922 649700 F: 01922 649802 E: strimechsales@btconnect.com [www.strimech.co.uk](http://www.strimech.co.uk)  
 Company Registration No. 1247524

