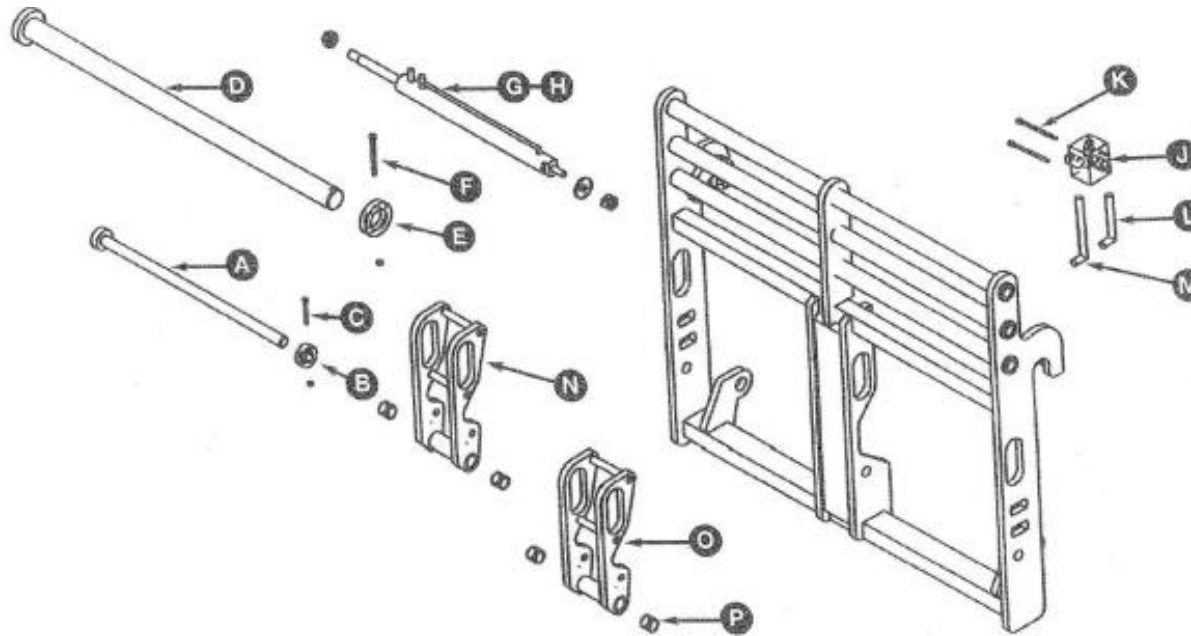


DOUBLE HYDRAULIC FORK POSITIONER 3500KG JCB Q-FIT



ITEM	PART NO.	DESCRIPTION	QTY	ITEM	PART NO.	DESCRIPTION	QTY
A	106250-20	Bottom Guide Bar	1	J	106250-21	Hydraulic Valve	1
B	106250-17	Retaining Collar	1	K	106250-24	Rubber Mounting c/w Bolts	2
C	106250-16	Hex HD Bolt	1	L	106250-22	Hose Assembly	2
D	106250-14	Pallet Fork Carrying Bar (50 dia)	1	M	106250-23	Hose Assembly	2
E	106250-18	Retaining Collar	1	N	106250-6	Right Hand Actuator	1
F	106250-15	Hex HD Bolt	1	O	106250-8	Left Hand Actuator	1
G	106250-11	Hydraulic Cylinder	2	P	106250-12	Bush	4
H	020	Seal Kit	2				