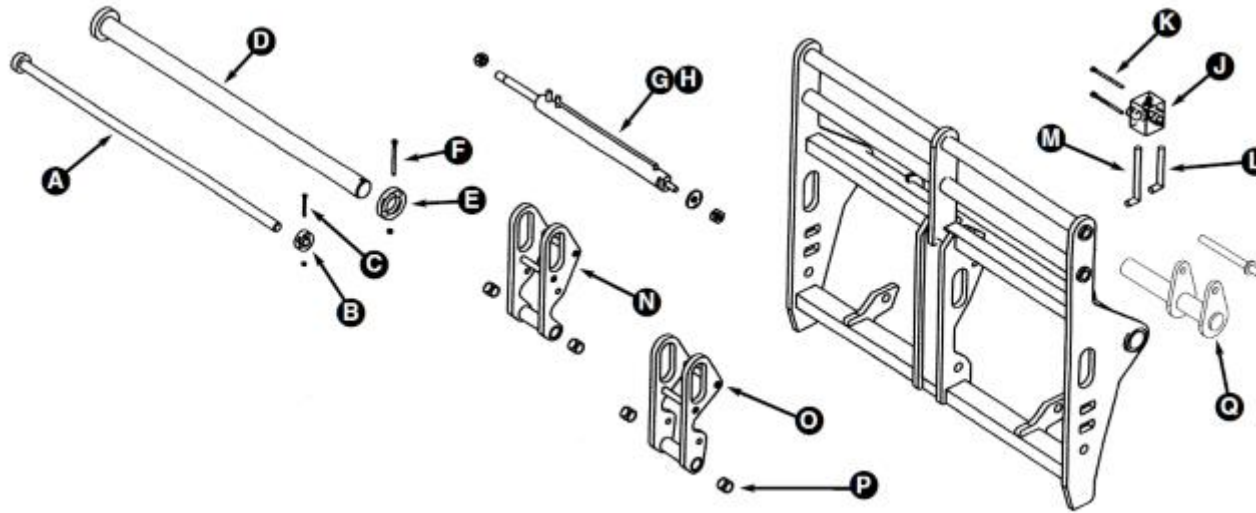


DOUBLE HYDRAULIC FORK POSITIONER MANITOU UP TO 4000KG



ITEM	PART NO.	DESCRIPTION	QTY	ITEM	PART NO.	DESCRIPTION	QTY
A	106621-5	Bottom Guide Bar	1	J	106221-23	Hydraulic Valve	1
B	106221-7	Retaining Collar	1	K	106221-24	Rubber Mounting c/w Bolts	2
C	106221-22	Hex HD Bolt	1	L	106221-25	Hose Assembly	2
D	106221-4	Pallet Fork Carrying Bar (57 dia)	1	M	106221-16	Hose Assembly	2
E	106221-6	Retaining Collar	1	N	106221-33	Right Hand Actuator	1
F	106221-21	Hex HD Bolt	1	O	106221-34	Left Hand Actuator	1
G	SK106251	Hydraulic Cylinder	2	P	106221-15	Bush	4
H	020	Seal Kit	2	Q	106221-32	Pin and Chain	2