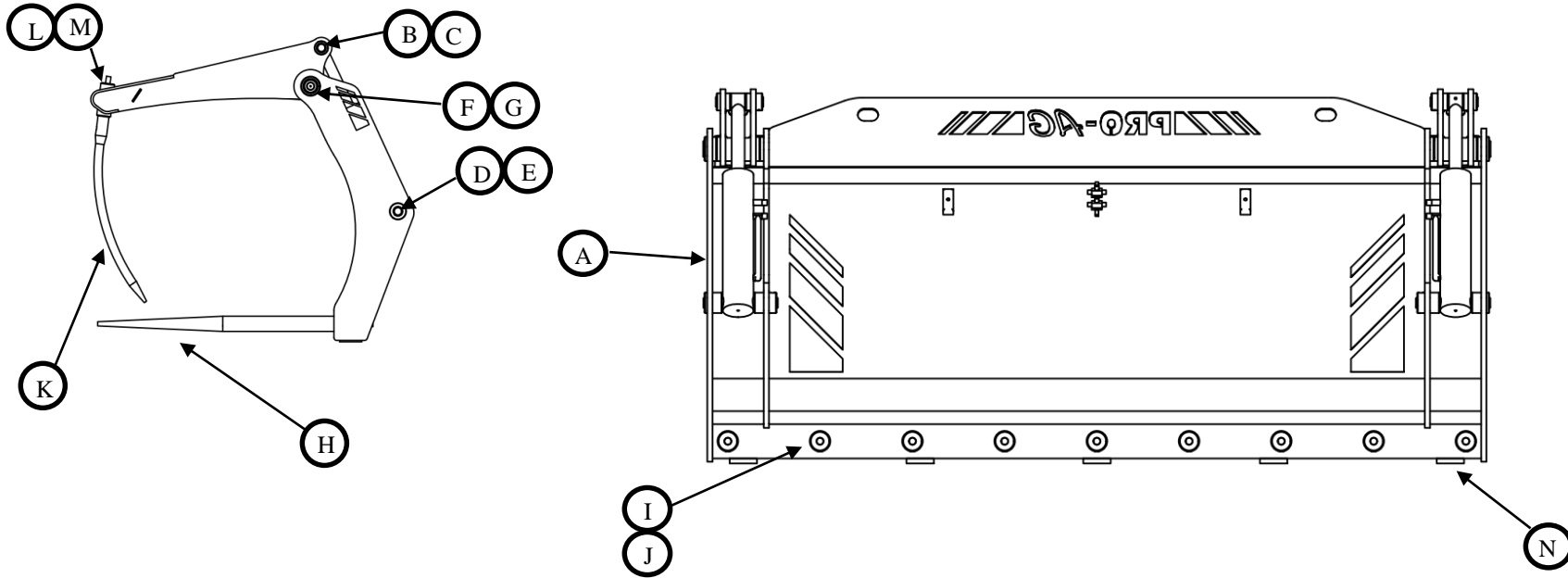


PRO-AG POWERGRAB RANGE MK2



ITEM	PART NO.	DESCRIPTION	QTY	ITEM	PART NO.	DESCRIPTION	QTY
A	107316	Hydraulic Cylinder	2	H	C2S980	Base Tine	•
B	107316-24	Eye End Cylinder Pin	2	I	107316-BTB	Base Tine Boss	•
C	107316-24-B	Eye End Cylinder Pin Retaining Bolt	2	J	C2S980-B	Base Tine Bolt	•
D	107316-23	Barrel End Cylinder Pin	2	K	C2C810	Grab Tine	•
E	107316-23-B	Barrel End Cylinder Pin Retaining Bolt	2	L	107316-GTB	Grab Tine Boss	•
F	107316-22	Pivot Pin	2	M	C2C810-B	Grab Tine Bolt	•
G	107316-22-B	Pivot Pin Retaining Bolt	2	N	107316-7	Bottom Wear Pad	•
				• Serial number required for qty			